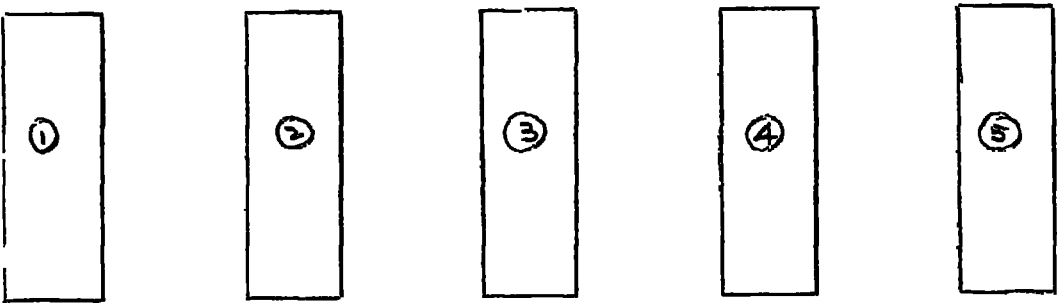


~~SECRET~~

OCSIG O MAR 15, 1940

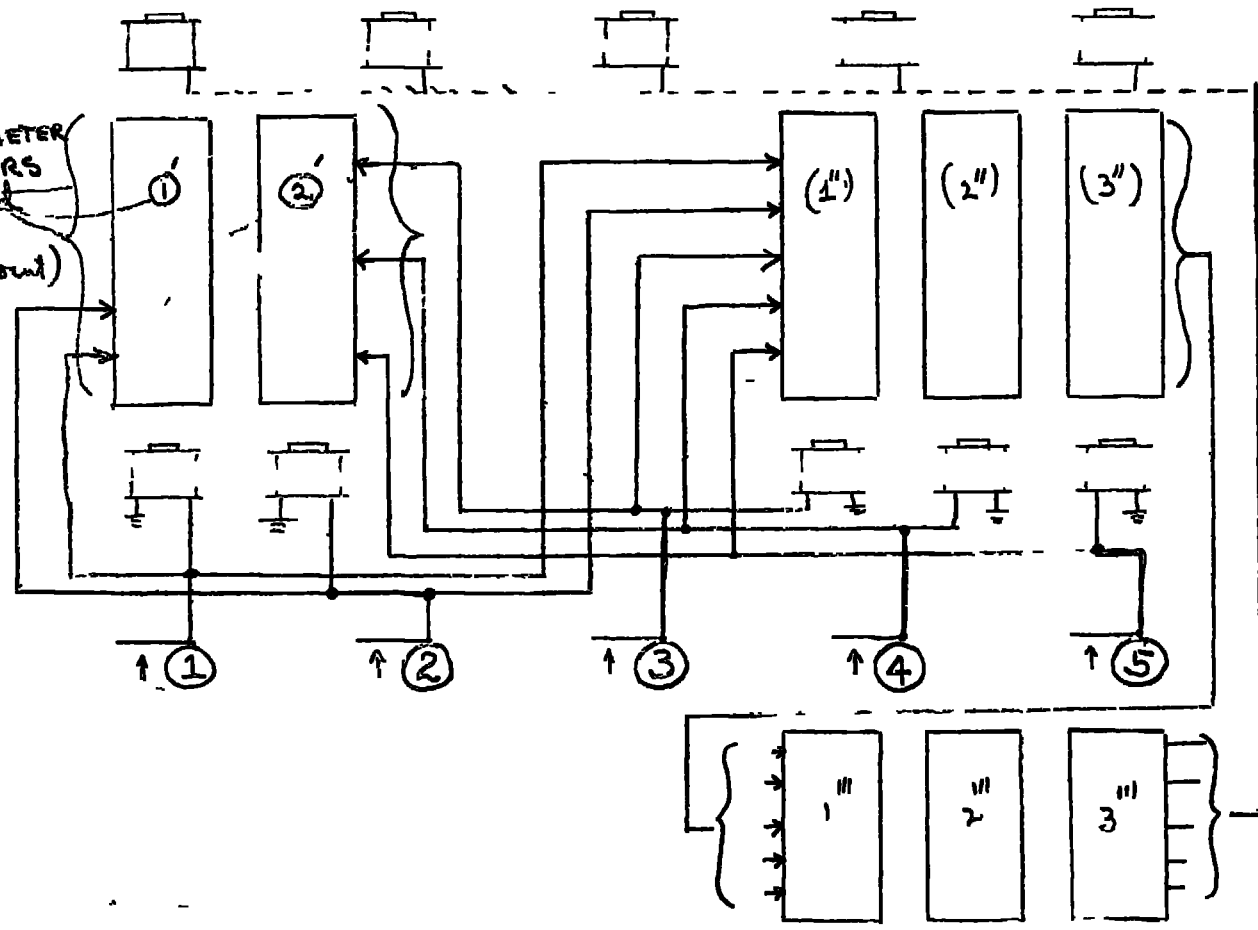
William F. Friedman

Crypto-graphic
Rotors
1-5
(26 point)



TWO
ODD METER
ROTORS
1' and
2'
(26 point)

Three irregularly displaced
control rotors 1'', 2'', 3''
(26 point)



Three combinatory 5 point rotors
1''', 2''', 3'''