

WAR DEPARTMENT  
OFFICE OF THE CHIEF SIGNAL OFFICER  
WASHINGTON

8

October 4, 1935

**MEMORANDUM FOR:** Research and Development Division.  
(THRU: War Plans & Training Division)

1. Attached hereto are draft specifications and six drawings covering a new type of controlling means for cryptographic machines using rotatable commutators. The basic principle is, in my opinion, novel and very valuable. It is exemplified in several embodiments shown in the drawings.

2. This is the joint invention of the undersigned and one of my assistants, Mr. Frank B. Rowlett, Junior Cryptanalyst.

3. It is recommended that patent be applied for at once, to safeguard the government's interest, even though it may not be desirable to allow the patent to go to issue for some time.

William F. Friedman.

Encls.  
Draft specifications,  
6 drawings.

M-161 M-134-C

WAR DEPARTMENT  
OFFICE OF THE CHIEF SIGNAL OFFICER

MEMORANDUM for

Office File

Drawings + specs on SIS DE 11

The [attached] was disclosed to Cndr.

MacFarlan + Lieut. Wenger, Code + Signal  
Section, Navy Dept on Oct 21, 1935.

Oct. 21, 1935.

W. F. Friedman

Again described + disclosed to Lts Wenger,  
Harper + Cndr McClaran on Oct 31, 1935 at Navy Dept.Again described to Lts. Wood + Dugan at this  
Office on Nov 1, 1935.

W. F. F.

FIG. 1.

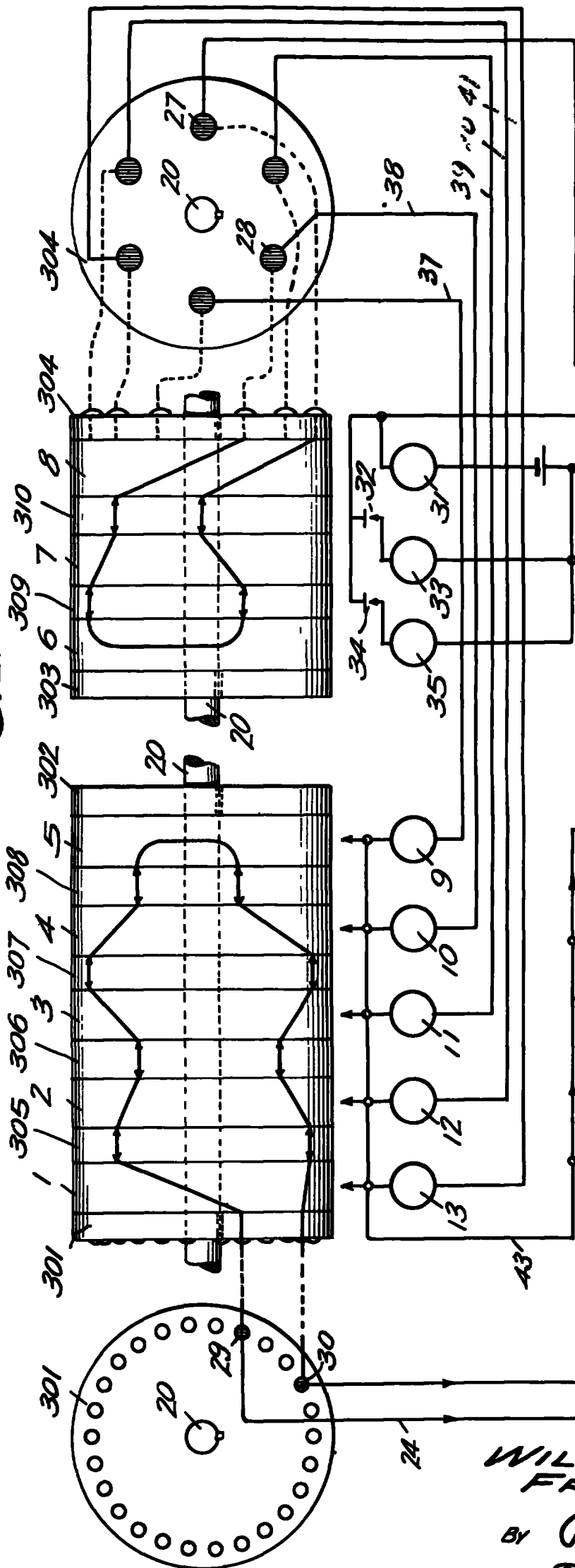
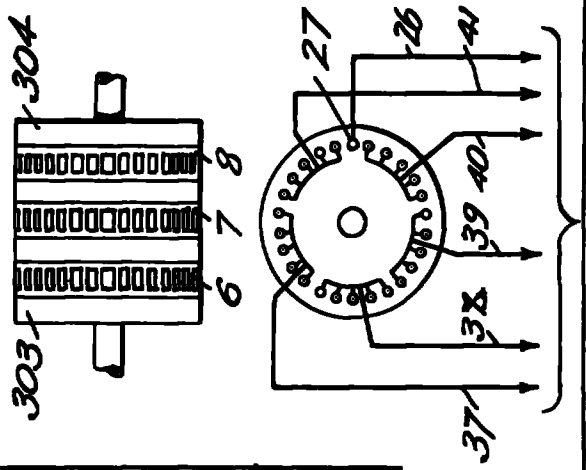


FIG. 2.



INVENTORS  
**WILLIAM F. FRIEDMAN**  
**FRANK B. ROWLETT**  
 BY *Patent Hauglin*  
*and*  
*Charles A. Dowd*  
 ATTORNEYS

FIG. 4.

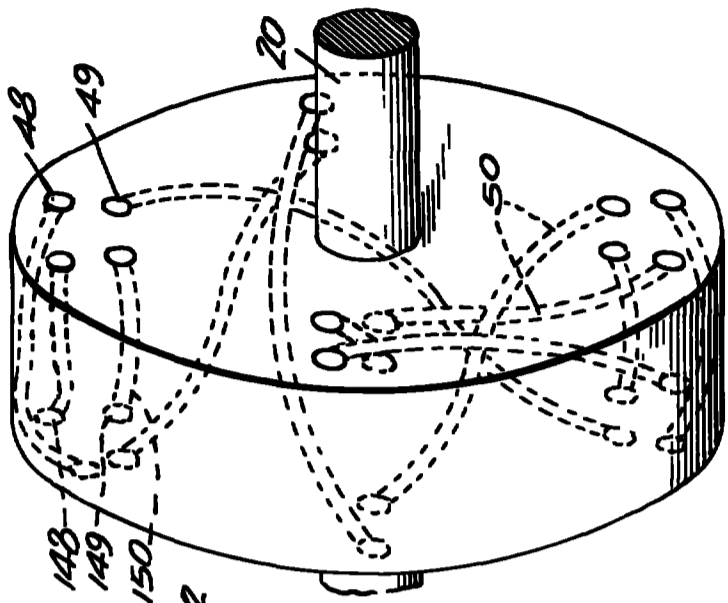
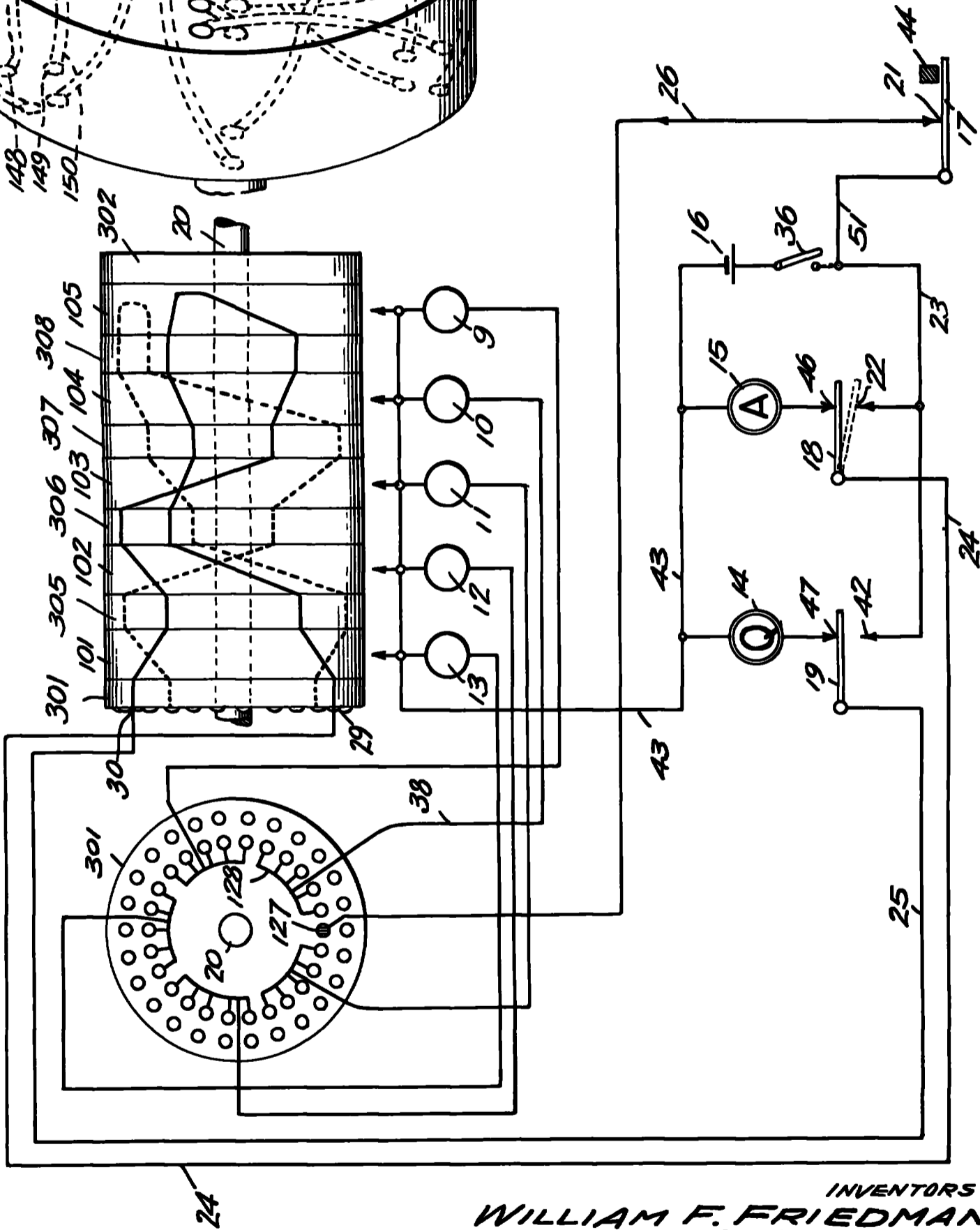


FIG. 3.



INVENTORS  
 WILLIAM F. FRIEDMAN  
 FRANK B. ROWLETT  
 BY *Patent* Laughlin  
 and  
 Charles A. Rose  
 ATTORNEYS



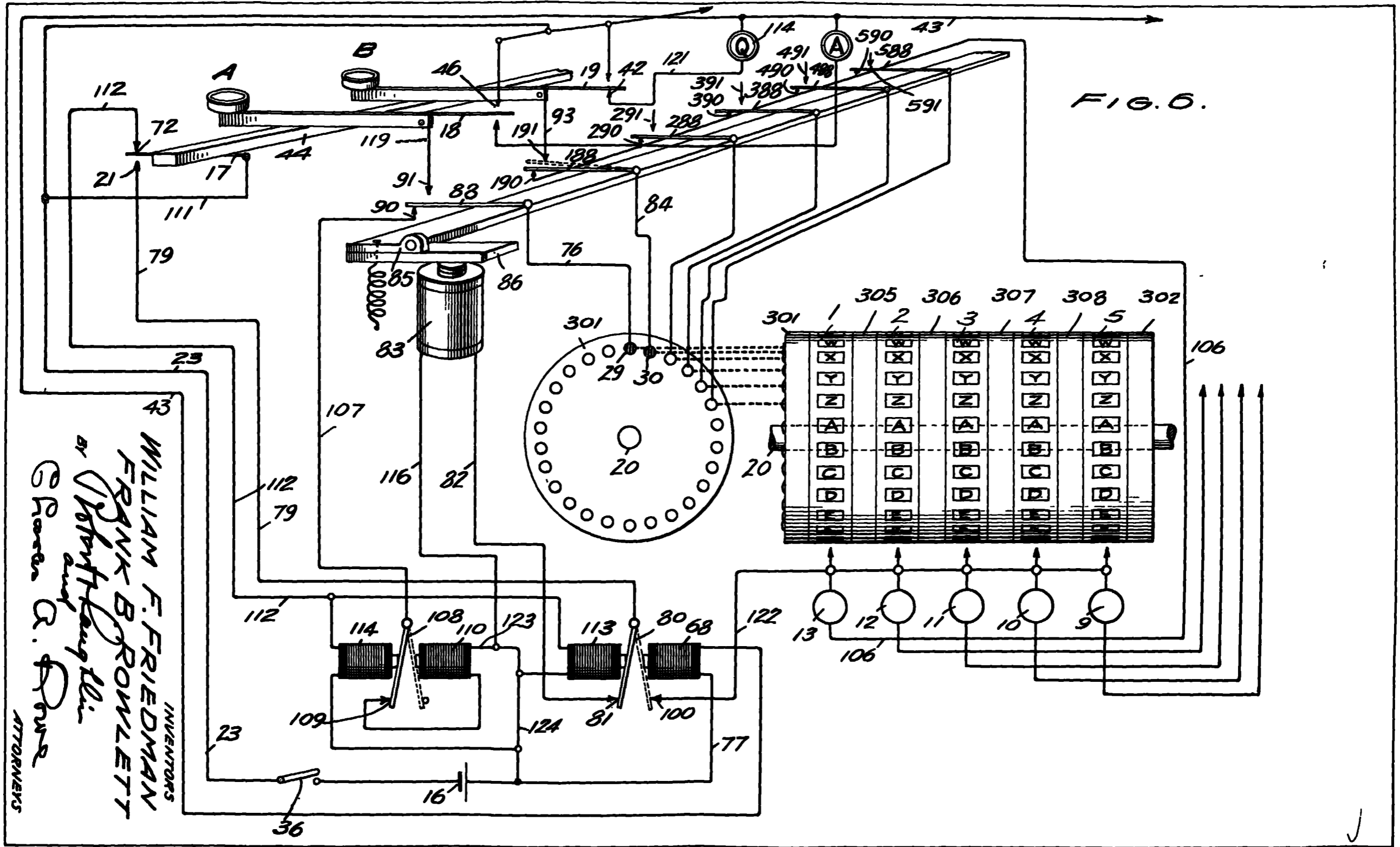


FIG. 6.

WILLIAM F. FRIEDMAN  
 FRANK B. ROWLETT  
 INVENTORS  
 BY *Robert Langley*  
 Charles R. Stone  
 ATTORNEYS

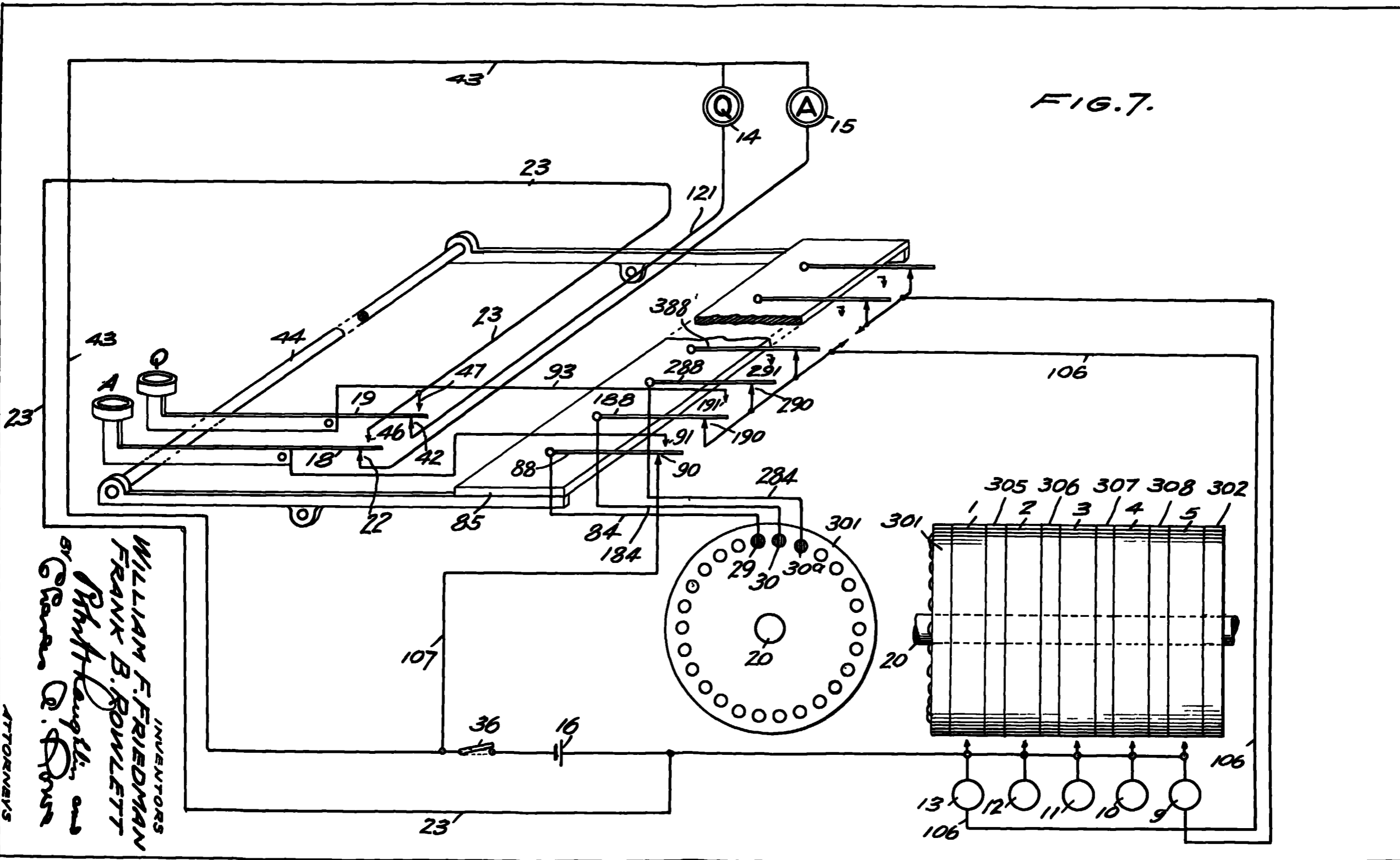


FIG. 7.

WILLIAM F. FRIEDMAN  
 INVENTORS  
 FRANK B. ROWLETT  
*By* *Phyllis Langille*  
*of* *Carson D. House*  
 ATTORNEYS

1st Memo Ind.

8

OCSigO, NP&T Division, Washington, D. C., October 14, 1935 - For Research and Development Division.

The War Plans and Training Division concurs in paragraph 3 of basic memorandum.

W. S. Rumbough,  
Major, Signal Corps.

Encls. (no change).