

I claim: -

1. A cryptographic device comprising a base provided with a <sup>horizontal</sup> plurality of channel ways; and <sup>individually adjustable discrete sequences of alphabetic</sup> strips of character-bearing material, <sup>characters</sup> adapted to be inserted therein and adjustable in respect to each other <sup>independently of one another</sup> and means for facilitating the reading of said characters in selected columns, <sup>to permit alignment of the characters in different relations for</sup> cryptographic purposes.

2. A cryptographic device comprising a base, said base being provided with a plurality of channel ways, and character-bearing strips adapted to be slidably inserted therein; and means for aligning the characters in different relations for cryptographic purposes, the channel ways being open at their opposite ends.

3. A cryptographic device comprising a base formed with <sup>individually adjustable alphabetic</sup> grooved slide-ways therein; character-bearing strips, <sup>horizontal</sup> slidable in said ways; and means for <sup>to facilitate the reading of selected alphabetic columns</sup> aligning said characters in varying relations for cryptographic purposes.

4. A cryptographic device comprising a base formed with grooved slide-ways therein; strips bearing thereon alphabetic character sequences and <sup>individually movable</sup> slidable in said ways; and means adjustable transversely of said strips <sup>to facilitate the reading of</sup> for aligning said characters in varying relations ~~and in column formation~~ for enciphering and deciphering messages.

5. A cryptographic device comprising a base having <sup>vertically open</sup> grooved slide-ways formed therein; strips bearing thereon alphabetic character sequences and <sup>individually</sup> slidable in said ways; and means adjustable transversely of said strips for <sup>facilitating the reading of</sup> aligning said characters in varying relations

[and in column formation] for enciphering and deciphering messages.

6. A cryptographic device comprising a base provided with a plurality of channel ways; <sup>alphabet</sup> character-bearing strips adapted to be <sup>individually</sup> slidably inserted and aligned in varying relations in said ways for cryptographic purposes; and a slidable guide rule for making excursions transversely along the channel ways and in relation to said strips for enciphering and deciphering messages.

7. A cryptographic device comprising a base having a supporting foot hingedly attached to the under surface of said base; a plurality of members fixed to the obverse surface of the base at equidistant intervals to form a plurality of channel ways; strips bearing alphabetic sequences of characters <sup>individually</sup> slidable in said ways; a guide rule, <sup>adapted</sup> ~~and means to~~ permit ~~said rule~~ to be moved transversely <sup>of said strips to facilitate the reading of selected</sup> across the channel ways <sup>in</sup> cryptographic <sup>purposes;</sup> ~~relation to said strips;~~ and stop members for the guide rule disposed at opposite ends of said channel ways.

*provisions of character varying relations for*

8. A cryptographic device comprising a sub-base; interchangeable base-sections having grooves formed therein to provide a plurality of channel ways; means for removably attaching said sections in position on said sub-base to permit different arrangements of said sections in juxtaposed relationship for cryptographic purposes; character bearing strips adapted for slidable insertion in said channel ways; and a slidable guide rule movable transversely across said channel ways and in varying relations to said strips for enciphering and deciphering messages.

9. A combination according to claim 8 in which said grooved sections are of the same size and contain equal numbers of channel ways.

10. A combination according to claim 8, in which said grooved sections are of different sizes and contain unequal numbers of channel ways.

11. A combination according to claim 8 in which stops are provided at the opposite ends of the channel ways to limit the movement of the slide rule at the end of its travel.

12. A cryptographic device comprising a frame structure and including a sub-base formed therein; a series of base-sections having grooves therein to provide a plurality of channel ways; means for removably attaching said sections on said sub-base to permit different juxtaposed arrangements thereof for cryptographic purposes; strips bearing alphabetic sequences of characters slidable in said ways; and a slidable guide rule movable transversely of said strips and alignable in varying relations with respect to said characters for enciphering and deciphering messages.

13. A cryptographic device comprising a frame structure and including a sub-base therein; base-sections grooved to provide a plurality of channel ways, said sections having different numbers of said channel ways and being differentiated from one another by distinguishing symbols; means for detachably securing said sections on the sub-base to permit different juxtaposed arrangements thereof for cryptographic purposes; strips bearing alphabetic sequences of characters movable in said channel ways; a guide rule slidable transversely of said strips and alignable in varying relations with said characters for enciphering and deciphering messages; and stop members at opposite ends of the channel ways to limit the movement of the slide rule at the end of its travel.

14. A cryptographic device comprising a multiple base formed of separate sections, said sections being interchangeable with one another to permit different juxtaposed arrangements for cryptographic purposes; a plurality of channel ways in said sections; strips bearing sequences of characters and <sup>individually</sup> slidable in said ways; and a guide rule movable transversely of said strips and alignable with said characters in varying relations for enciphering and deciphering messages.

15. A cryptographic device including a multi-form base composed of separate sections, said sections having grooved slide-ways therein and being interchangeable with one another to permit different juxtaposed arrangements for cryptographic purposes; strips slidable in said ways and bearing thereon sequences of alphabetic characters; and guide means disposed transversely of said strips and movable to permit alignment of the characters in varying relations for enciphering and deciphering messages.

*facilitate*

16. A cryptographic device composed of hinged sections foldable upon one another, said sections having grooved slide-ways formed on their inner faces; strips slidable in said ways and bearing thereon sequences of alphabetic characters; and guide means disposed transversely of said strips and movable to permit alignment of the characters in varying relations for enciphering and deciphering messages.

*facilitate*

17. A cryptographic device composed of hinged sections <sup>foldable</sup> foldable upon one another, said sections being provided on their inner faces with open-ended slide ways; strips slidable in said ways and bearing

thereon sequences of alphabetic characters; and a guide rule hinged to fold with said sections, said rule being disposed transversely of said strips and movable to <sup>facilitate reading,</sup> permit alignments of the characters in varying relations for enciphering and deciphering messages.

18. A cryptographic device comprising a pair of hinged components foldable upon one another, said components being provided on their inner faces with open-ended slide ways; a guide rule hinged to fold with said components; means operative with one of said components to maintain said rule in a position transversely of said strips and movable to <sup>facilitate reading</sup> permit alignments of the characters in column formation and in varying relations for enciphering and deciphering messages; and terminal stops to limit the movements of said rule at either end of its travel.

19. A cryptographic device comprising hinged components foldable upon one another, said components being provided on their inner faces with a plurality of open-ended slide ways; a guide rule hinged to fold with said components; a grooved channel formed along the edge of one of said components in parallelism with the slide ways; means including a spring-tensioned element slidable in said channel for operating the said rule while maintaining the same in a position transversely of said strips, said rule being movable to <sup>facilitate reading of</sup> permit alignments of the characters in varying relations and in column formation for enciphering and deciphering messages,

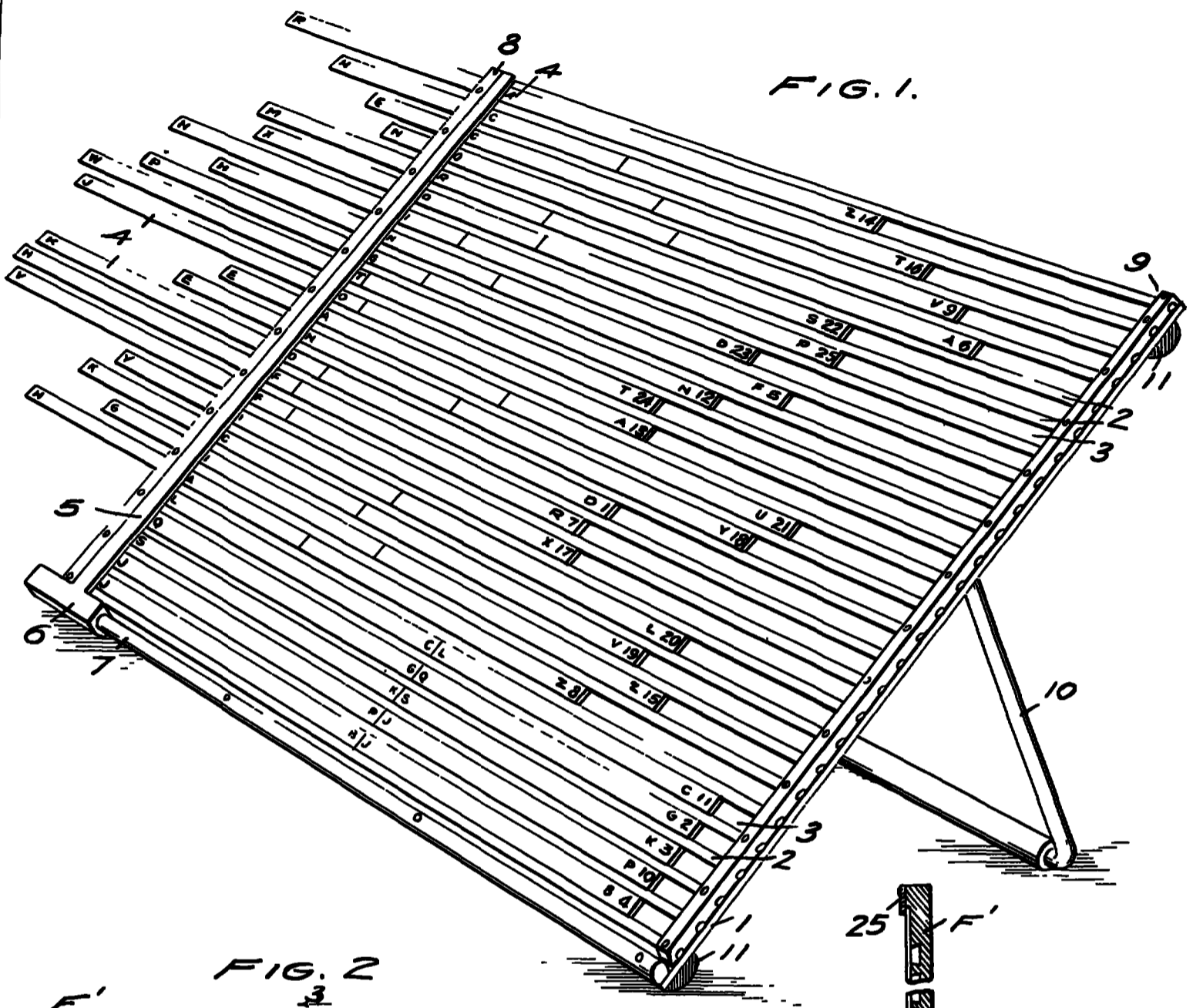


FIG. 1.

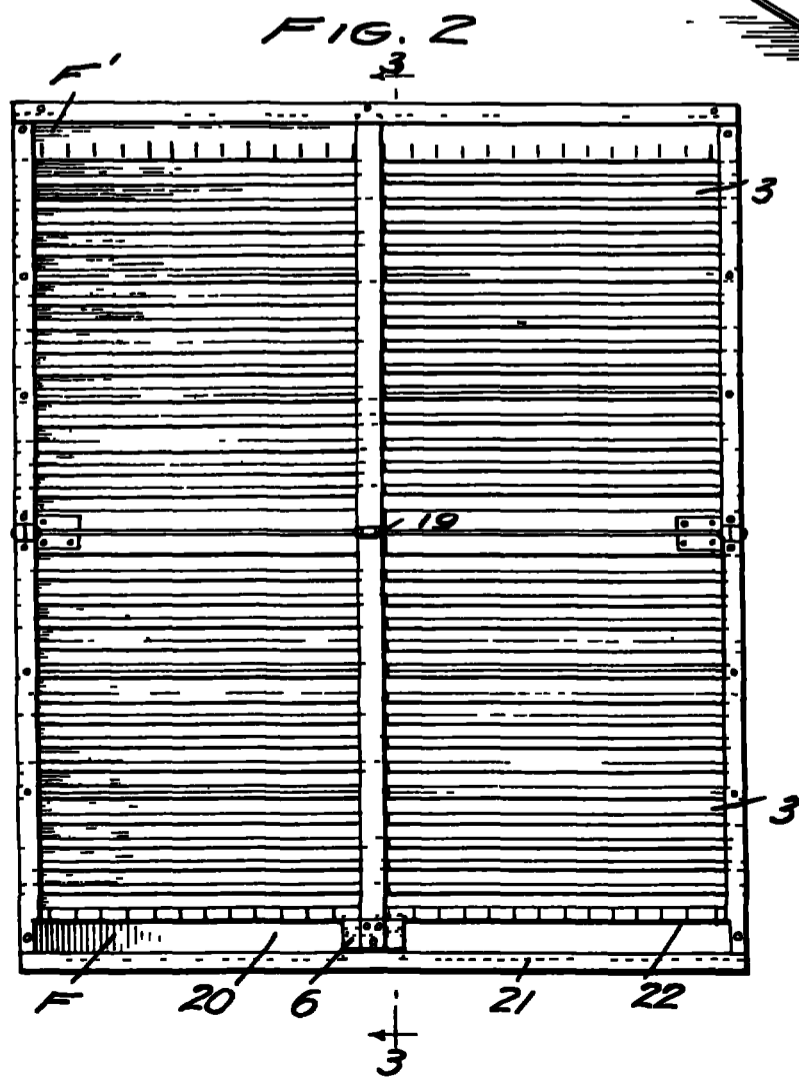


FIG. 2

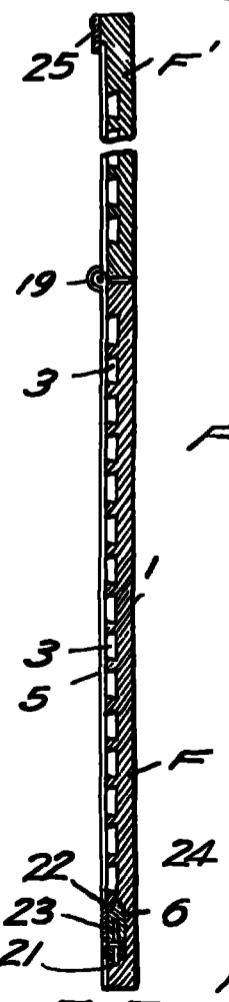
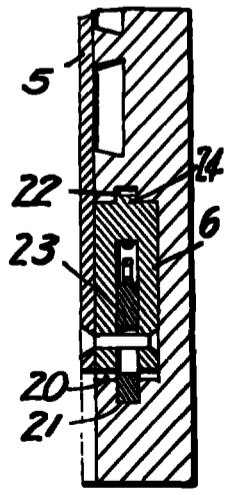


FIG. 3.

FIG. 3<sup>a</sup>



INVENTOR  
**WILLIAM F. FRIEDMAN**  
 BY *Edgar H. Snodgrass*  
*Charles A. Rowe*  
 ATTORNEYS

FIG 4

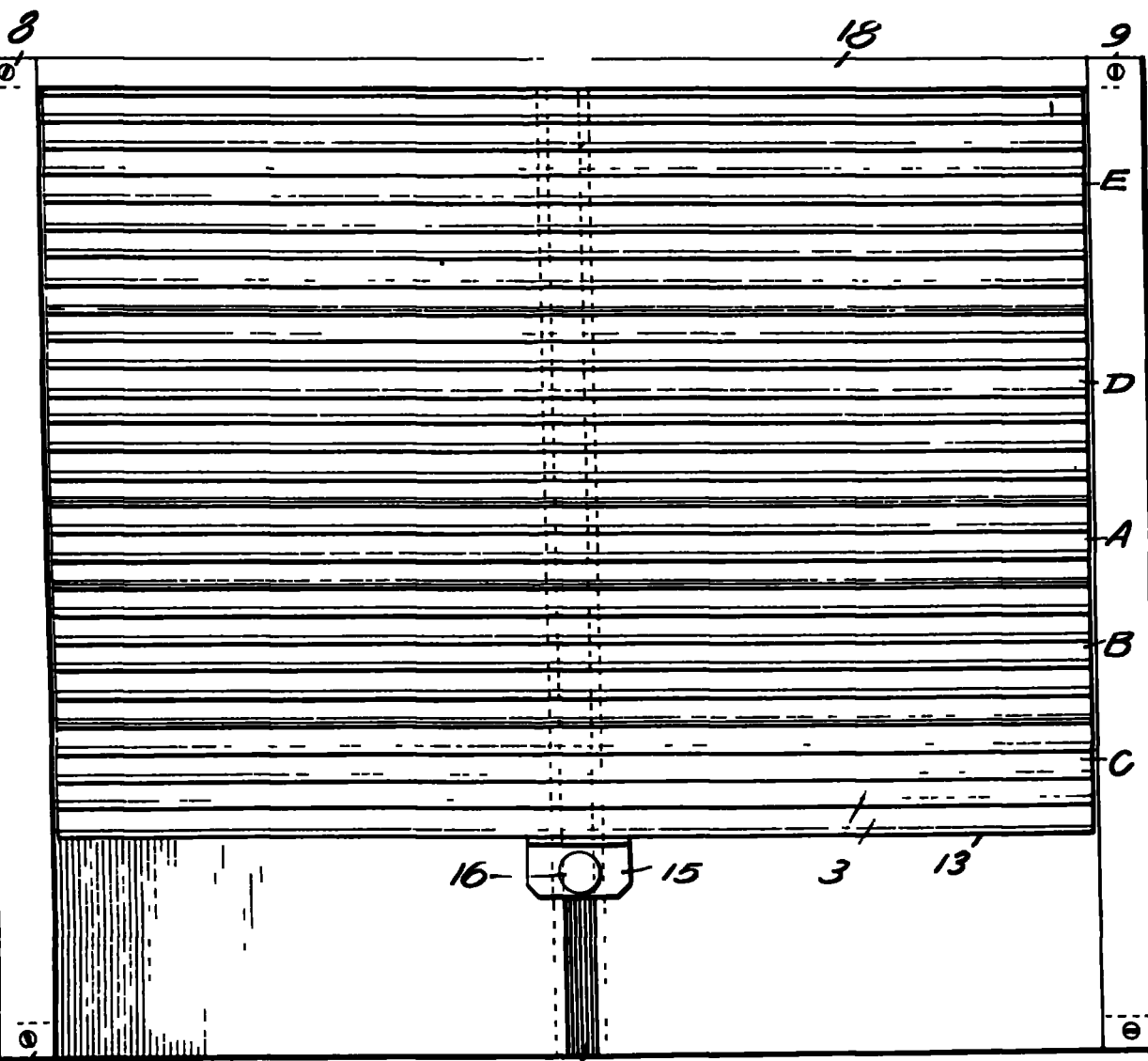
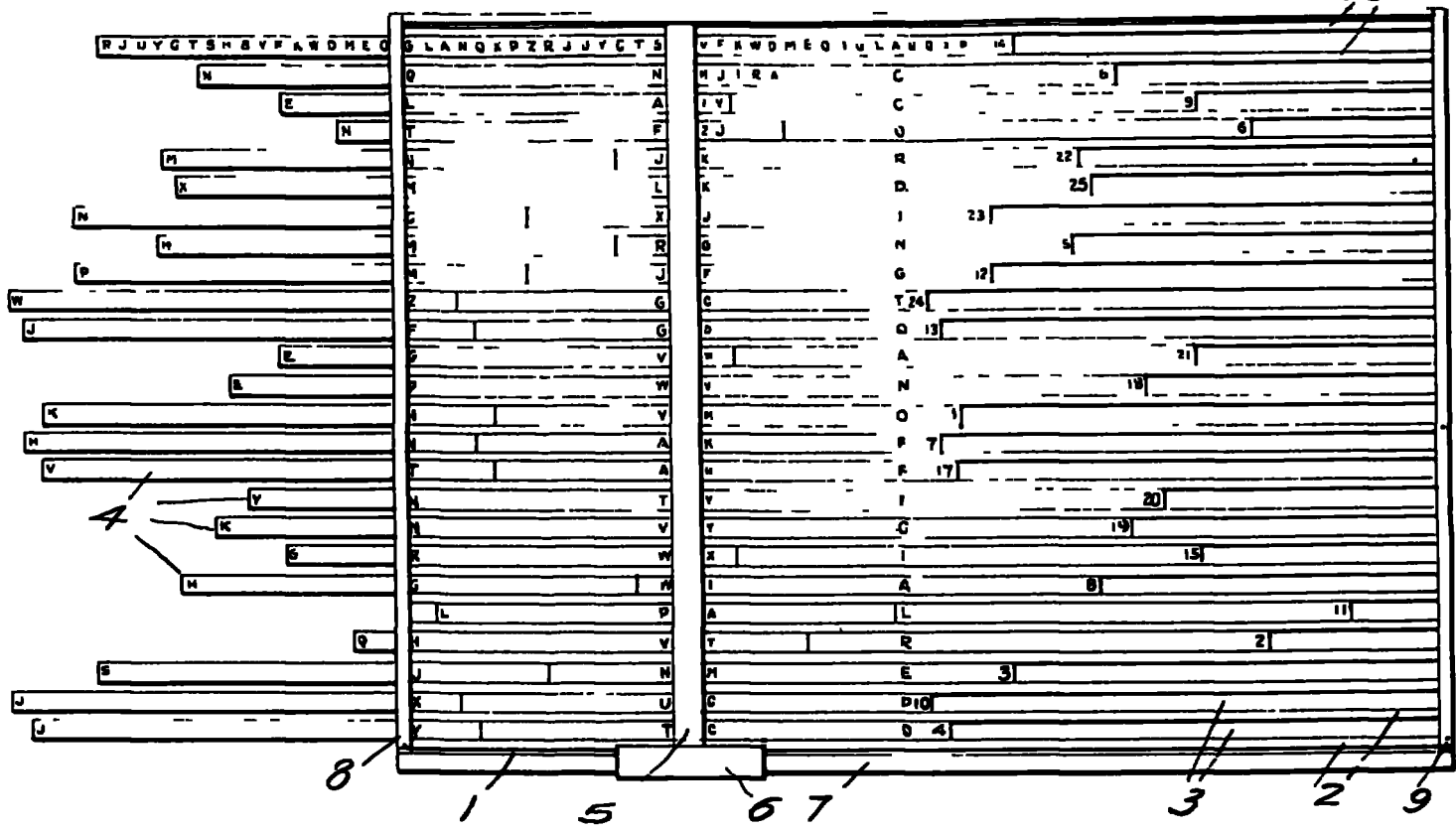


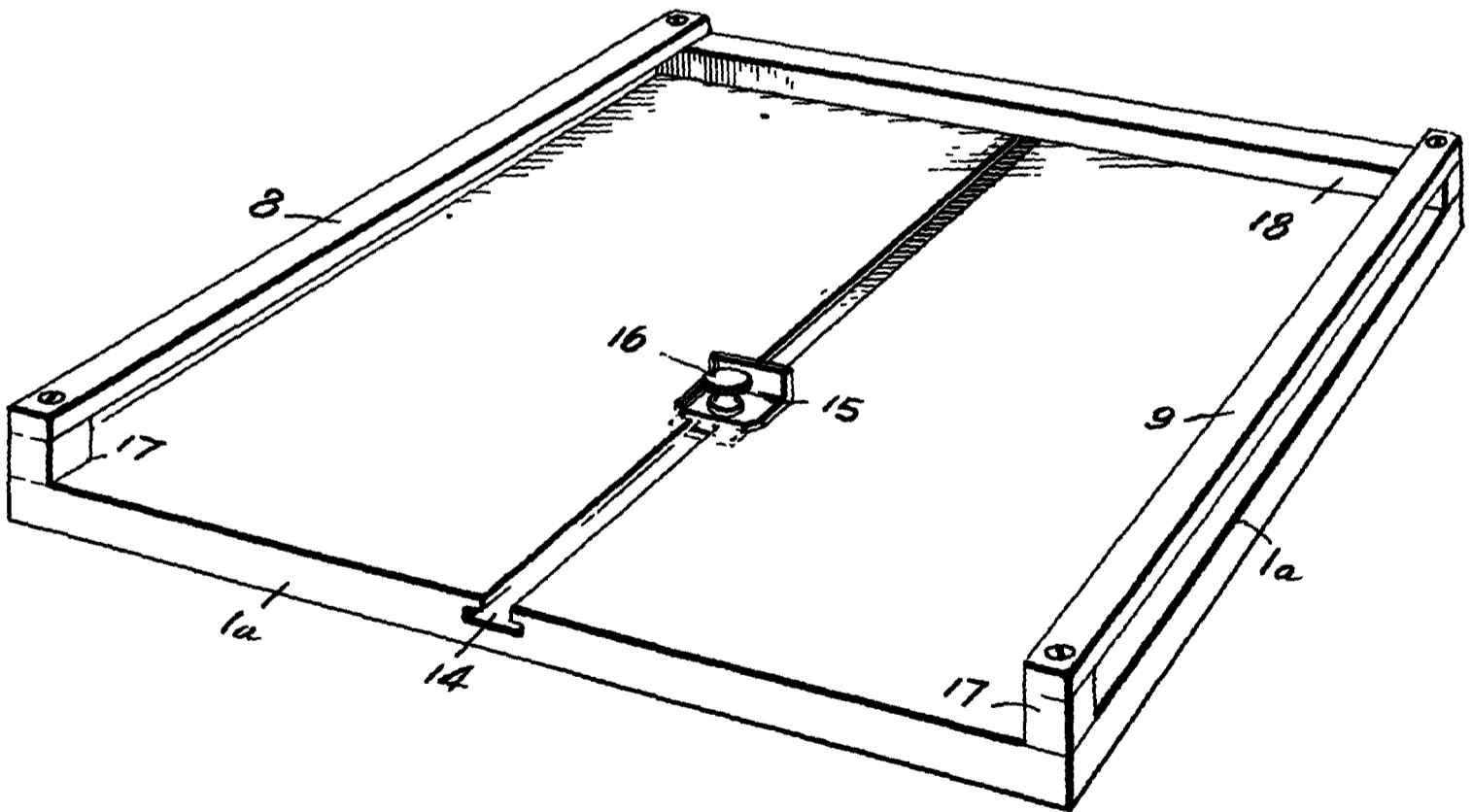
FIG 5

INVENTOR  
**WILLIAM F FRIEDMAN**  
 BY Edgar H Snodgrass  
 Charles A Rowe  
 ATTORNEYS

FIG 6



FIG.7



INVENTOR  
WILLIAM F. FRIEDMAN  
BY Edgar H. Snodgrass  
Charles A. Rowe  
ATTORNEYS